

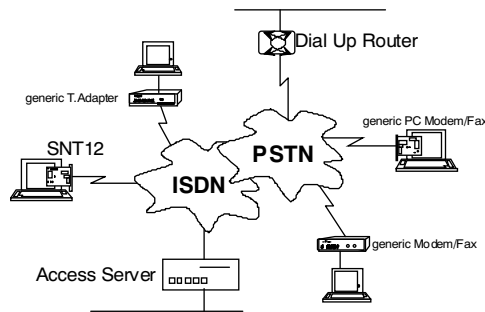
Data Communication



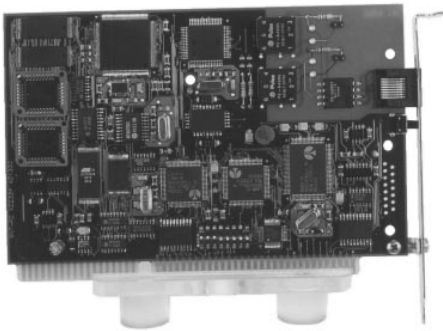
SNT12

Isdn & V34+ active modem card

ISDN active PC internal card with **V34+ (33,6)** modem capabilities; SNT12 is a fax modem that develops into ISDN adapter. It is on the ISA bus of the personal computer as real (hardware) serial port from COM 1 to COM 4 with INT14 handling. It is suggested for Internet users on ISDN using **integrated PPP support** or on PSTN using V34+ modem inside.



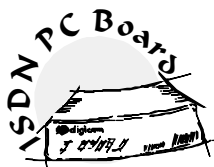
Like the desktop version SNT08, also SNT12 is based on a powerful processor 32 bit RISC processor and on the DSP technology. In fax mode it is compatible with Group 3 and with V17 standards to send and receive faxes at 14.400 bps. It supports the **MNP10EC** and also the **V42 and V42bis** protocols recommended by ITU. Error correction and data compression up to 400%. When using it as a terminal adapter it looks like a modem, therefore it is handled by AT commands and any PC software can be used.



Due to some particular performances like **V120** protocol and **V42bis** data compression the 64 Kbit on ISDN become approx. 115,2 kbit/sec (approx. 11.500 ASCII characters in one sec.). By using the V110 protocol it is possible to communicate in asynchronous mode at the speed of 38400 bps. This is limitative if compared to the real ISDN potentiality which is used at 64 kbit and whose cost does not depend on speed. SNT12 has an internal telephone book and handles safety procedures with caller identification by the Call ID functions that ISDN offers.

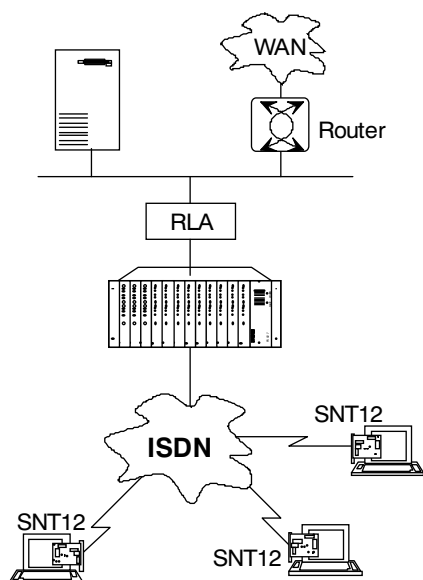
SNT12 is a made in Italy product which is projected and manufactured by digicom S.p.A., leading company on the market for twenty years with Quality Certification according to ISO9001/EN29000 and BABT. The product is homologated, CE marked and it is in conformity with ITU-T recommendations warranting the highest Quality Level.

digicom S.p.A. - ITALY - 21010 Cardano al Campo VA via Alessandro Volta 39
Tel. +39/331/702611 - Fax +39/331/263733 - <http://www.digicom.it>



TECHNICAL FEATURES

- EuroISDN compatible: NET 3 BRI 1B+D.
- PPP internal support
- Rate Adaption: V110, V.120.
- Data compression: V.42 bis.
- Error correction: V.42.
- Data compressor MNP5 (V34).
- Error correction MNP4 and MNP10EC.
- AT commands.
- Autospeed up to 115.2Kbit/s.
- Asynchronous operation up to 115.2 Kbit.
- ITU-T V34, V32bis, V22bis, V22, V23, V21, V17, V29, V27.
- Telephone book with 8 numbers.
- Safety function by caller identification (Caller ID support).
- Compatible with most popular communication programs.
- Same use as a compatible Hayes modem.
- ISDN multinumber service (MSN).
- ISDN subaddressed service (SUB).
- ISDN caller identity service (CLIP).
- Call automatic address towards a fax/modem or ISDN TA.
- Line interface on RJ45 connector for S/T bus.
- ISA BUS interface selected between COM1 - COM2 - COM3 - COM4.
- IRQ selected between 3-4-5-7-10-11-14.
- Power supply collected from the PC ISA BUS.
- ISA BUS board format 3/4 slot.
- Consumption: 800 mW.
- Range of temperature from - 5 to 45C.
- Maximum tax of humidity 90%.
- Weight: 120 gr.



PRODUCT	CODE	DESCRIPTION
SNT12	8D5391	V34 modem/fax and ISDN TA 1B+D with ISA BUS V110, V120, V42bis MNP10, AT Compatible EuroISDN, PTT approved.
CR25	8D4186	Connection cable between SNT12 and NT1.